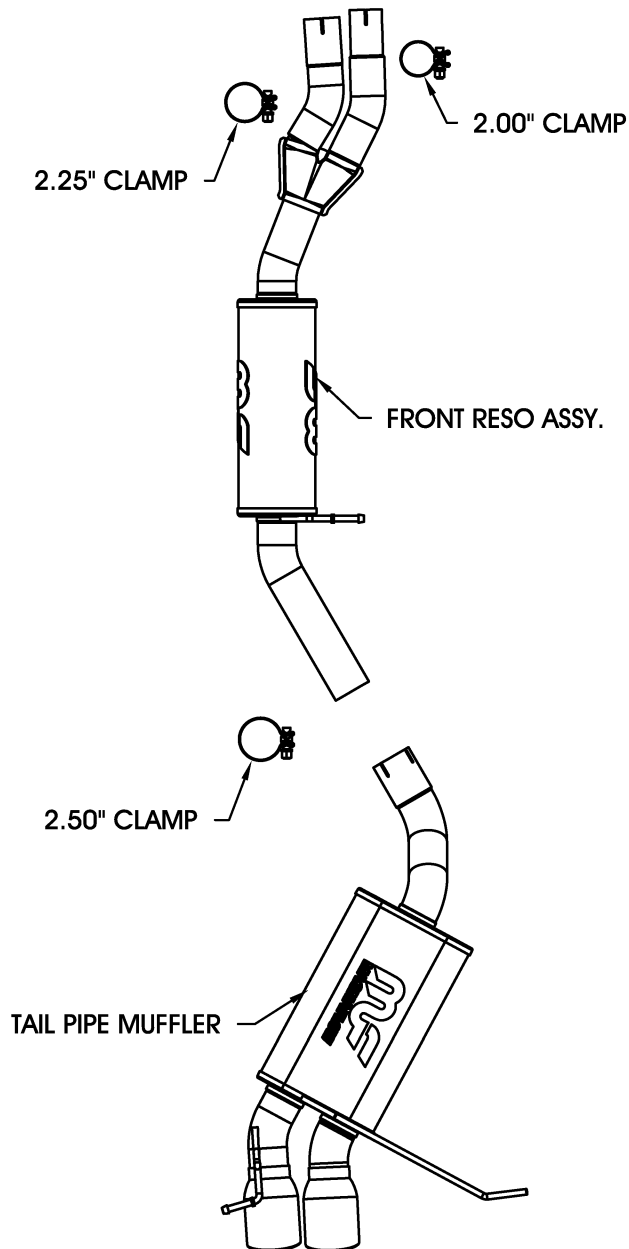


2008 - 2009 BMW 128i 3.0L



Warning: When working on, under, or around any vehicle exercise caution. Please allow the vehicle's exhaust system to cool before removal, as exhaust system temperatures may cause severe burns. If working without a lift, always consult vehicle manual for correct lifting specifications. Always wear safety glasses and ensure a safe work area. Serious injury or death could occur if safety measures are not followed.

Step 1: (Carefully read all instructions before installation) To remove the OEM system both inlet pipes must be cut 7" rearward of each catalytic converter. Working front to rear carefully remove all hangers from the rubber isolators and remove the system. Be sure to retain all existing hardware as it will be needed to install your new MAGNAFLOW system.

Step 2: Begin installation of your new system by slipping the dual inlet pipes of the front resonator assembly over the outlet ends of the pipes you have just cut. Secure with the supplied clamps. Note: the two pipes are of different diameters, choose the corresponding supplied clamp. Next, slip the inlet of the Tail Pipe Muffler assembly over the outlet pipe of the front resonator assembly and secure with the supplied clamp. locate all hangers to the rubber isolators.

Step 3: With all components mounted loosely, adjust the system for overall aesthetics and clearance of frame & bodywork. (MAGNAFLOW recommends at least 1/2" of clearance between the exhaust system and any body panels to prevent heat-related body damage or fire.)

Step 4: Once a final position has been chosen for the new system, evenly tighten all fasteners from front to rear. The supplied band clamps must be VERY tight to properly align the pipes and prevent leaks (Approximately 40ft-lbs). U-bolt clamps should be tightened to approximately 30-35ft-lbs. Inspect all fasteners after 25-50 miles of operation and retighten if necessary.

*MAGNAFLOW Performance Exhaust recommends professional installation on all their products

Technical support: 1-800-959-9226 ext. 4500